



**QuhaNemo**

USER MANUAL

# Quha Nemo - Self Operated Quha Zono Headband with Charging Dock

Welcome to the Quha Nemo self operated headband with charging dock for Quha Zono. Before you start using your Quha Nemo, for the best user experience, please read this manual carefully first.

Quha Nemo is a user operated headband with charging dock for the Quha Zono gyroscopic mouse. It provides a handsfree way to pick up, put down, use and charge Quha Zono without assistance.

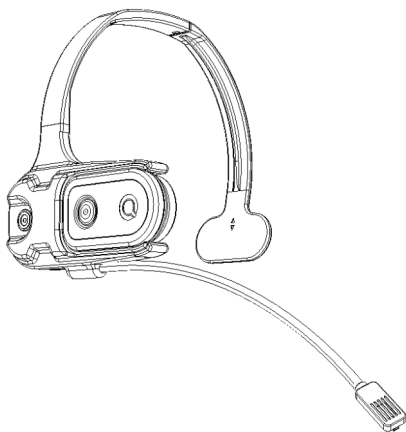


Figure 1 - Quha Nemo

## Quha Nemo Main Parts

1. UNC camera thread
2. USB cable
3. Charging connector
4. Magnet attachment point

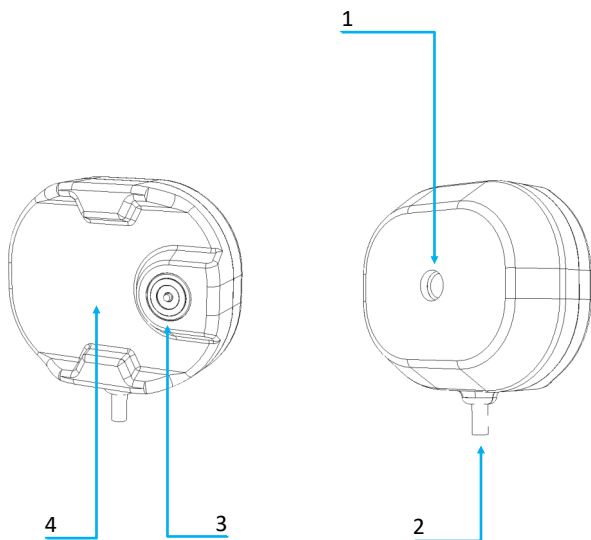


Figure 2 - Charging dock

## Quha Nemo Main Parts

5. Headband connector
6. Mini USB connector
7. Quha Zono slot
8. Quha Sento arm (optional)
9. Magnet
10. Connector for 3.5 mm switches
11. Charging connector
12. Headband

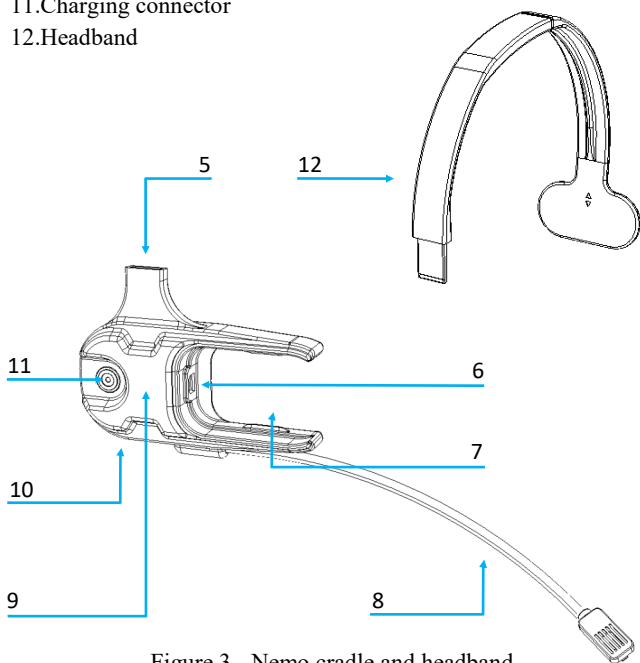


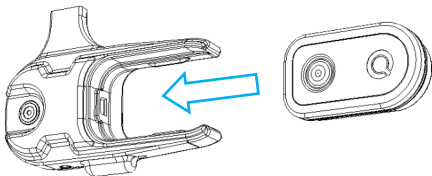
Figure 3 - Nemo cradle and headband

## Installation

Before using Quha Nemo there are a few things to do.

### Connect Quha Zono and Nemo cradle

1. Connect the Quha Nemo cradle to the headband.
2. Slide the Quha Zono mouse in the cradle so that the Quha Zono mini USB charging port is connected to the cradle's mini USB connector.



### Prepare the USB charger

The included USB charger includes AC input plugs for several regions.

1. Choose the AC input plug suitable for your electrical mains connector.
2. Attach the plug to the USB charger.

## **Attach dock**

1. Attach the charging dock to a mount of your preference (not included) with the standard 1/4" UNC camera thread.
2. Adjust the mount so that when the Quha Zono mouse has been attached to the dock, its position enables picking up Quha Zono without hands using head movements only. Make sure that the dock stays firmly in its place.
3. Connect the USB cable to the included wall charger. Make sure the cable is not tangled with the user or any moving objects.
4. Place Quha Nemo cradle into the charging dock.

## **Using Quha Nemo**

Quha Nemo has two primary functions. It functions as a charging dock for the Quha Zono gyroscopic mouse. It also provides the possibility to use, pick up and put down the mouse without assistance.

## **Charging**

Quha Nemo charging dock has a magnet attachment that connects to the Quha Zono cradle. There is only one possible way to connect them together. The dock design and the magnet assist the connection. The magnet in the dock will hold the cradle firmly in its place when connected.

When the cradle is connected to the dock, the Quha Zono mouse charging starts automatically. When the cradle is picked up from the dock, the Quha Zono mouse is automatically turned on and it can be used without pressing the power button. It is safe to leave the mouse in the cradle when it is not used.

## **Picking up Quha Zono from the dock**

When picking up the Quha Zono from the dock, the dock needs to be in a suitable position for the user. Depending on the user, Quha Zono can be picked up for example by rolling the wheelchair under the headband and slightly moving the head to place the headband in the preferred usage position. It may be useful to try different positions to find the easiest way to do this.

## **Putting down Quha Zono to the dock**

When putting down Quha Zono to the dock, the cradle is taken close to the dock. When the cradle is near enough to the dock, the dock's magnet will guide the cradle to the correct docking position. It is usually easy to feel when the cradle connects to the dock.

Because the dock is typically located on the side of the user's head, it may be helpful to place a mirror to the front of the user so that the user can see the dock.

## **Sento puff switch (with version including Sento)**

Quha Sento is a contactless puff switch that is used to perform a short mouse click (clicking) or a long mouse click (dragging) together with the Quha Zono gyroscopic mouse.

### **Using Quha Sento**

Quha Sento detects the air flow (puff) coming from the user's mouth. The puff sensor is located at the end of the sensor arm. The more air flow there is to the sensor, the more accurately the switch can be controlled. Therefore, it is necessary to place the sensor to a position that the air flow can reach.

When the headband is on the user's head, the flexible sensor arm is adjusted so that the sensor is located in front of the user's mouth at a comfortable distance. A typical distance is 1-5 cm (0.4-2 inch). Try different positions because the air flow strength varies greatly. With some experimenting, a good position is found in a few minutes.

Testing the switch is simple. Puff into the sensor and a click is performed. Puff and keep puffing into the sensor and a long click (dragging) is performed as long as the puff continues.

### **Using a Generic Switch**

Any switch with a 3.5 mm connector can be used with Quha Nemo. There is a connector (Figure 3-10) for this purpose in the Nemo cradle. Attach the switch to the connector before turning on the device power to ensure the switch is recognized correctly.



## Technical Specifications

Dimensions      Length 100 mm, width 160-180 mm, height 140 mm. Cable length 1 m.

Charger          Universal USB charger, 5 V output.

Mounting        ¼" UNC thread (camera mount)

Operating temperature

From +10°C to +35°C (from +50°F to +95°F)

Storage temperature

From +0°C to +45°C (from +32°F to +113°F)

## Sales Package Contents

Quha Nemo cradle (optionally with Sento puff switch), head-band and charging dock

USB charger with AC input plugs for EU, UK, US and SAA

User manual

## Keeping Quha Nemo Clean

As a head worn device, Quha Nemo is easy to keep clean. All parts can be cleaned with a physiologically sensitive area cleaning liquids, such as water or Würth Multiclean.

## Product Disposal

When the device has reached its end-of-life it should be recycled as electric and electronic waste.



## European Compliance

The manufacturer of this product confirms that this product complies with the European Union regulations for safety, health, environmental and consumer protection.



## FCC Compliance

This device complies with Part 15 of the FCC Rules. Operation is subject to the following two conditions: (1) this device may not cause harmful interference, and (2) this device must accept any interference received, including interference that may cause undesired operation.



## Magnetic Fields

Quha Nemo contains magnets. Do not place it close to magnetically sensitive devices such as pacemakers, hearing devices, credit cards, mechanical watches, data storage media, etc. as they may get damaged.



## Limited Warranty

Warranty on the product is 2 years from the date of purchase.

## Product and Safety Information

The device includes sensitive electronic components and the user should not try to open or service the device themselves.

This device is for indoor use only. Do not allow the device to get wet.

Any modifications not approved by Quha could void the user's authority to operate the device.

Keep the device clean. Do not clean the device with solvents, toxic chemicals or strong detergents as they may cause damage to the product. Store your device only on flat surfaces. Do not drop or shock the product as it may be damaged.

Follow all instructions in the user guide to ensure the longest lifespan of your device. Damage or poor performance caused by failure to follow warnings and instructions can void your manufacturer's warranty.

This product is RoHS compliant.



Designed and manufactured in  
Finland by Quha.

[www.quha.com](http://www.quha.com)

Copyright 2018 Quha oy.

Quha, the Q-mark, Quha Zono and Quha Nemo are  
trademarks or registered trademarks of Quha oy.