

USER MANUAL

EN

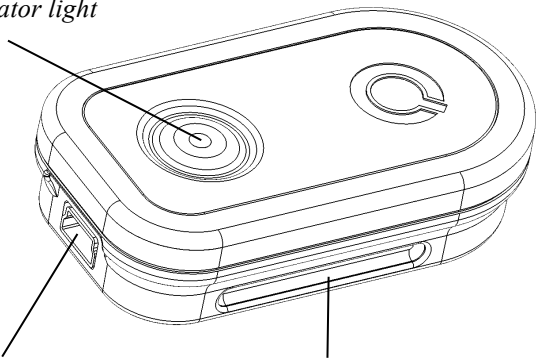


Quha Zono

User Manual

Quha Zono User Manual v. 1.3 2021-05-21

*Power switch /
Indicator light*



USB port

Mounting bracket

Welcome to Quha Zono mouse.

This user manual will guide you through the functions and features of your device.

Please read these instructions carefully before using Quha Zono mouse.

General

The Quha Zono wireless computer mouse is intended to be used for computer control for augmentative and alternative communication (AAC) and/or for computer access purposes as an alternative mouse input device for people that have challenges in their ability to access a computer due to injury, disability or illness.

The mouse pointer is moved by rotating the mouse. It can be used in any position, and is fastened to any moving part of the user's body.

The mouse does not require a separate driver or software.

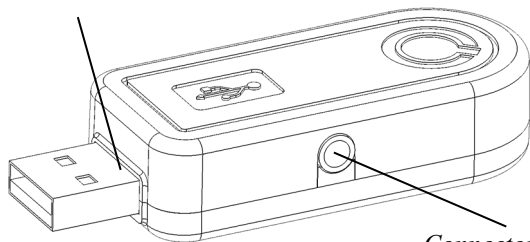
Getting started and charging the battery

Quha Zono includes a mouse and USB connector.

The mouse comes with a rechargeable battery, which needs to be charged before its first use. To charge the battery, connect the mouse to the computer USB port using the included USB cable. When the battery is fully charged, the indicator light on the mouse will turn green.

When the battery charge is low, the indicator light will flash red every few seconds. You should charge the battery before its next use.

USB connector

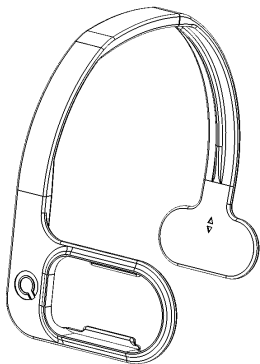


*Connector for
additional buttons*

Installing the USB receiver

The product comes with a receiver which is connected to the computer's USB port. The receiver is operational when connected to the USB port.

Additional mouse buttons can be connected to the USB receiver. One mouse button is connected directly to the USB receiver and will work as the left button of the mouse. You can add two buttons by connecting the included adapter to the USB receiver. The left mouse button is connected to the silver and the right button to the gold port .



Attaching the mouse and configuration

The default configuration for the mouse location is on the right side of the user's head.

There are different types of mounting accessories available. Further information about the available accessories can be found at www.quha.com.

Using the mouse

Quha Zono mouse uses a gyroscopic sensor to detect rotational movement. When the mouse is attached to the user's head, turning the head will produce the rotational movement detected by the device. Rotational movements translate to mouse pointer movements chosen by the user. Moving the mouse pointer is intuitive and adopted in a matter of a few seconds.

The mouse can be used with any part of the body the user is able to control. Head-control is set as the default configuration. With just one click, you can use the included software to choose many other programmed movements. The mouse can also be programmed to recognise user specific movements.

Switching the mouse on and off

To turn on the mouse, press the power switch briefly. The indicator light will turn green for a second. To turn off the mouse, press the power switch briefly. The indicator light will turn red for a second. After auto turn-off, the mouse is turned on using the power switch.

If the mouse pointer moves on the computer screen by itself after switching on, keep the mouse still for a few seconds. The device will automatically remove the additional movement and you can continue using the mouse.

Cleaning the mouse

The mouse surface can be cleaned by wiping its outside plastic surfaces with a mild detergent.

Battery replacement

When the device usage time is significantly shortened from its design length, you can have the battery replaced by a Quha certified service point.

Indicator Lights

The mouse power switch indicator light provides the device status. Table on page 12 describes the modes.

The mouse enters automatic standby mode, if it is not moved within ten seconds. The indicator light turns off in standby mode. The mouse will resume from standby mode when it is moved again.

Safety

The device includes sensitive electronic components and the user should not try to open or service the mouse by themselves. Battery replacement should be done by any manufacturer recommended service points.

The device cannot be used when connected to the USB port to charge the battery.

This device is for indoor use only. Do not allow the device to get wet.

Any modifications not approved by Quha could void the user's authority to operate the device.

If the device gets hot or its cover is cracked, stop using the device immediately and have the device serviced. Report any serious incident to the manufacturer.

If you feel any pain or discomfort during the mouse usage, you should stop using the mouse for a while.

The device may be used only for its intended purpose.

Compatibility

The product is compatible with HID mouse protocol supported computers systems such as Windows 10, macOS, ChromeOS and Linux. Many other operating systems are also HID compatible.

Technical Information

Measurements:	Length 59 mm / 2.3 inches, width 33 mm / 1.3 inches, thickness 15 mm / 0.59 inches, weight 23 g / 0.81 ounces
Operating Temperature:	+10 °C - +35 °C / +50 °F - +95 °F
Storage temperature:	+0 °C - +45 °C / +32 °F - +113 °F
Wireless connection:	2,45 GHz, range up to 10 meters / 33 ft
Battery:	LiPo (Lithium Polymer) 240 mAh. Active usage time is up to 30 hours, in the automatic standby mode up to 20 days.
Package contents:	Quha Zono, USB receiver, USB charging cable, adapter to connect two switches, stereo button adapter for Zono, user manual and warranty card. Contents may vary be region. Please see label for details.

Color	Indicator Light Status	Device Status
Green	On	The batter is fully charged.
Green	On for a second	Power switch has been pressed. Device will turn on.
Green	Flashes. Flash rate 1 sec.	Battery is charging.
Green	Short flash, every few seconds.	The device is operational.
Red	On for a second	Power switch has been pressed. Device will turn off.
Red	Short flash, every few seconds.	The device is operational. Battery charge is low.
Red	Flashes fast for a minute.	The device has a fault. Call for service.
-	Turned off.	The device is turned off or in automatic standby mode.

PC Software

Device settings can be changed using the PC Software. The mouse will work at the default settings without the software but we recommend that you install the PC software and configure your personal settings. The software will run on computers installed with the latest Windows operating systems.

Software installation

The Quha Zono 2 setup software can be downloaded from www.quha.com or installed from the included CD. The installation program starts when the disc is inserted to the CD-ROM drive. If the installation program does not start automatically you can run setup.exe program manually and follow the on-screen instructions.

When the installation is complete, you will have two programs on your computer; Quha Zono Initialisation and Quha Zono Settings. The motion configuration is set with Quha Zono Initialisation program; any other settings are configured with Quha Zono Settings program.

Configuring the settings with the PC software

When you have attached the USB receiver to the computer, you can change the settings using the Quha Zono Initialisation or Quha Zono Settings programs. The settings remain in the device memory even when the device is connected to another computer. You can change the movement speed and other settings affecting the mouse operations.

The accessibility functions have three different vibration attenuation modes. For example, the attenuation mode can remove the unnecessary mouse pointer movement caused by a trembling hand.

When the mouse is kept still for a second, the auto-click will make a short click that responds to a left click on the mouse. The required time and sensitivity can be adjusted.

Double-click assistant stops the mouse pointer for a second after a first click, making the double click easier without moving the mouse.

All accessibility aids can be adjusted.

Product Disposal

When the device has reached its end of life it should be recycled as electric and electronic waste.



European Compliance

The manufacturer of this product conforms that this product complies with the European Union regulations for safety, health, environmental and consumer protection.



Industry Canada Compliance

This device complies with Industry Canada licence-exempt RSS standard(s). Operation is subject to the following two conditions: (1) this device may not cause interference, and (2) this device must accept any interference, including interference that may cause undesired operation of the device.

Le présent appareil est conforme aux CNR d'Industrie Canada applicables aux appareils radio exempts de licence. L'exploitation est autorisée aux deux conditions suivantes : (1) l'appareil ne doit pas produire de brouillage, et (2) l'utilisateur de l'appareil doit accepter tout brouillage radioélectrique subi, même si le brouillage est susceptible d'en compromettre le fonctionnement.

FCC Compliance

This device complies with Part 15 of the FCC Rules. Operation is subject to the following two conditions: (1) this device may not cause harmful interference, and (2) this device must accept any interference received, including interference that may cause undesired operation.

Note: This equipment has been tested and found to comply with the limits for a Class B digital device, pursuant to part 15 of the FCC Rules. These limits are designed to provide reasonable protection against harmful interference in a residential installation. This equipment generates, uses and can radiate radio frequency energy and, if not installed and used in accordance with the instructions, may cause harmful interference to radio communications. However, there is no guarantee that interference will not occur in a particular installation. If this equipment does cause harmful interference to radio or television reception, which can be determined by turning the equipment off and on, the user is encouraged to try to correct the interference by one or more of the following measures:

- Reorient or relocate the receiving antenna.
- Increase the separation between the equipment and receiver.
- Connect the equipment into an outlet on a circuit different from that to which the receiver is connected.
- Consult the dealer or an experienced radio/TV technician for help.

© 2021 Quha oy. Quha oy is not responsible for possible errors in this user manual. Quha oy reserves the right to revise the content of this user manual.

Quha oy
Pirkkalaistie 1
37100 Nokia

info@quha.com
www.quha.com

